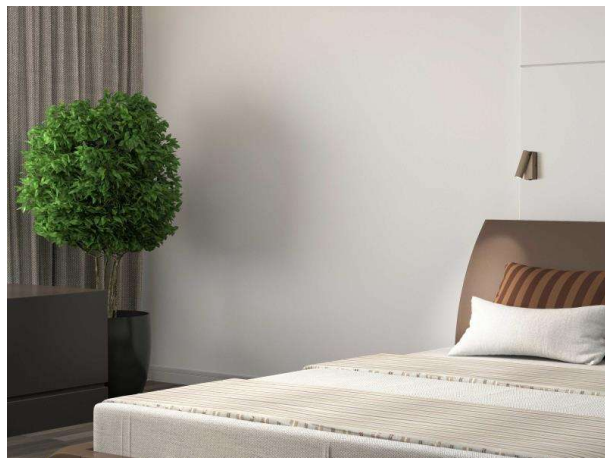


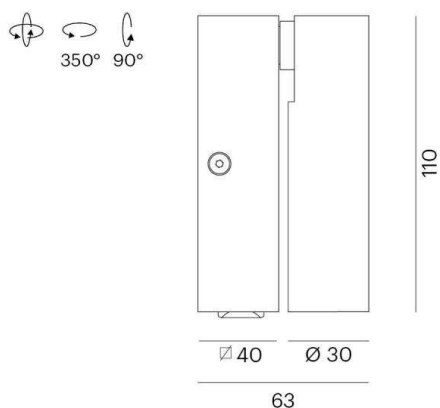
**ANIO**

**472-40039500**

ANIO W SURFACE MOUNTED WALL LUMINAIRE made of aluminium, white, similar to RAL 9003, beam 22°, light output direct, swiveling 90, tilting 350, with converter, dimmability: not dimmable, IP20



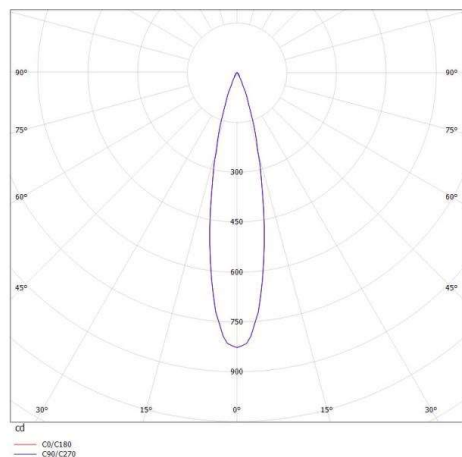
**DRAWING**



**TECHNICAL DETAILS**

System perform. [W]	3
Bulb type	LED
Luminous flux [lm]	170
Colour temp. [K]	3000K
CRI	>90
Converter	with converter
Dimming	not dimmable
Light output	direct
Beam angle [°]	22°
Voltage [V]	220-240V 50/60Hz
Material	aluminium
Length [mm]	63
Width [mm]	40
Height [mm]	110
IP protection class	IP20
Voltage class	protection cl. I
Net weight [kg]	0,43
Color lamp	white
RAL	9003
EAN-Number	9010506119701
Lifetime [h]	L80 B10 20 000
Energy efficiency cl.	G

**LIGHT DISTRIBUTION CURVE**



The values are rated values. Power and luminous flux are initially subject to a tolerance of +/- 10%. Colour temperature tolerance: +/- 150 K. The values apply to an ambient temperature of 25°C unless otherwise specified.