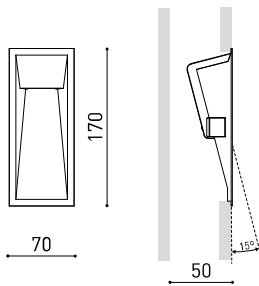




### DIMENSIONS



### ACCESSORIES



DRIVER OPTIONS



CONCRETE BOX ACCESSORY

### PRODUCT

Name	WALLY W/O DRIVER 3000K N
Reference	A3530001N
Color	Black
RAL	Colour in the mass looks alike RAL 9005
Category	WALL & FLOOR LIGHTS

### LIGHT SOURCE

Type	LED
Gross luminous flux	270 / 360 lm
Colour temperature	3000 K
Chromatic stability	MacAdam Step 2
Colour Rendering Index	CRI > 90
Power	2,1 / 3 W
Current	250 / 350 mA
Efficacy	129 / 120 lm/W
LED lifespan	L80B10 (Tc=85°C) > 60.000h

### LIGHTING FIXTURE | PHOTOMETRIC DATA

Lighting efficiency	6%
Light beam angle	73°

### LIGHTING FIXTURE | ELECTRICAL DATA

Driver	Excluded: Must be placed on remote
Power values of the system	2,1 / 3 W
Dimming	No Dim / DALI
Electrical insulation class	◆◆

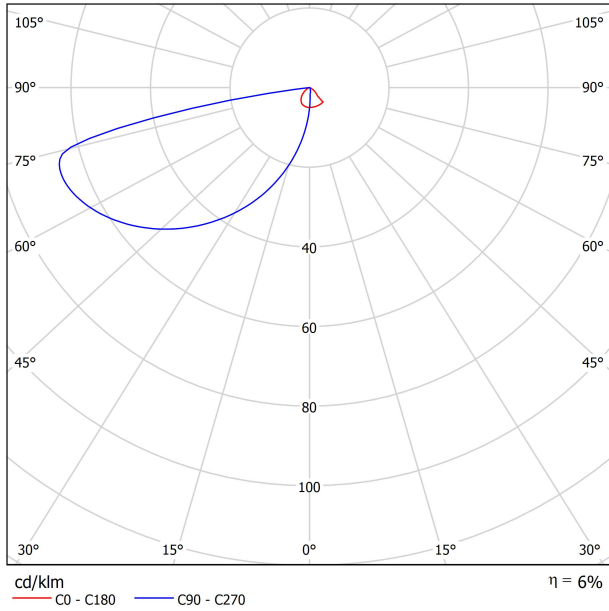
### OTHER DATA

Sealing	IP20
Wireless control	Please Consult
Recess measurements	62 x 162 mm
Weight	160 g
Packaged weight	190 g
Packaging dimensions	180 x 78 x 55 mm
Units per package	1
Materials	Aluminium / Polycarbonate

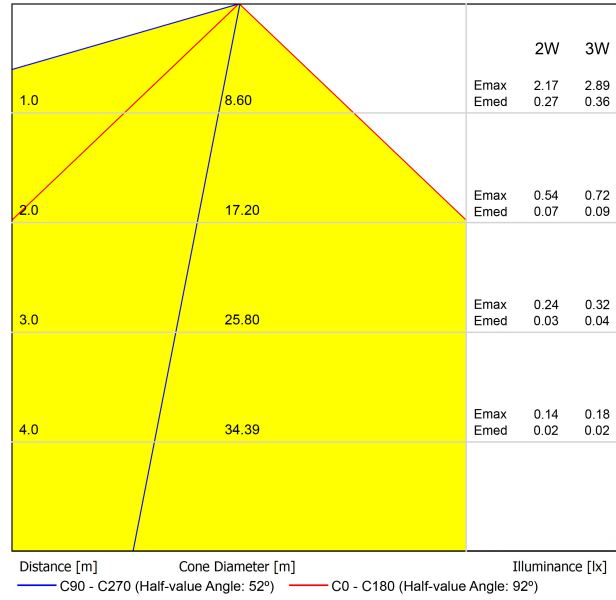


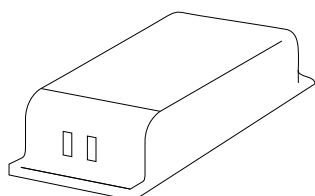
Wally is a floor wash light with geometrical and architectural shapes. It has been designed in one single piece so that it fits perfectly in the wall, with a clean visual transition between planes, with no division lines. Its ultrafine frame helps it to blend visually with the installation surface, illuminating corridors, stairs and transit areas with total discretion.

POLAR DIAGRAM



CONICAL DIAGRAM

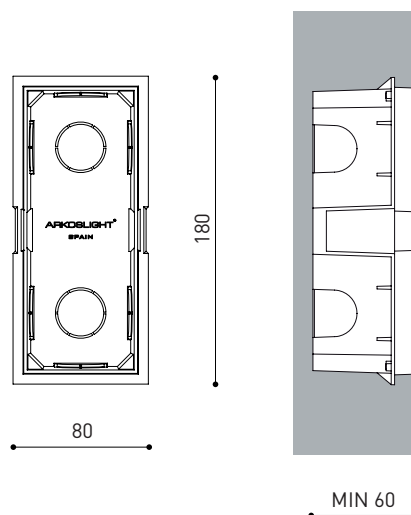




DRIVER OPTIONS*		P	I	
NO DIM	<b>0434-01-30</b>	2,1W	250mA	1 to 3 WALLY
	<b>0486-04-35</b>	3W	350mA	1 WALLY
	<b>0434-00-39</b>	3W	350mA	1 to 4 WALLY
DIM DALI	<b>0434-01-29</b>	2,1W	250mA	1 to 3 WALLY
	<b>0434-00-79</b>	3W	350mA	1 to 4 WALLY

220  
240 V~

Driver must be placed on remote



PRODUCT	
Model	Wally Concrete box Accessory
Reference	A353-90-00
Category	Accessories



Wally's auxiliary box allows it to be installed inside concrete walls. (It is not needed when installed in cardboard or plaster walls).  
 This accessory can be purchased independently, for the subsequent placement of Wally once the works have been finished.