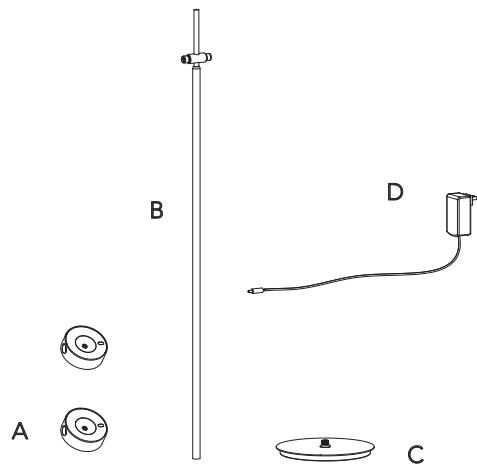


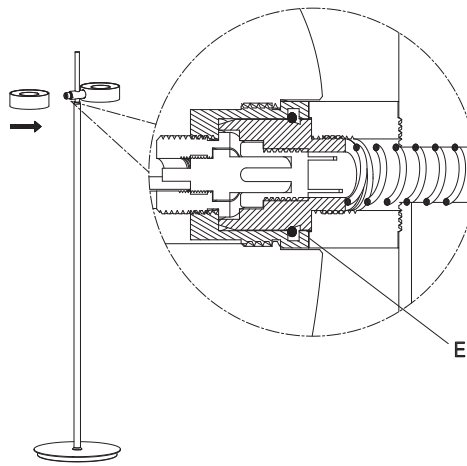
1



Installation instructions

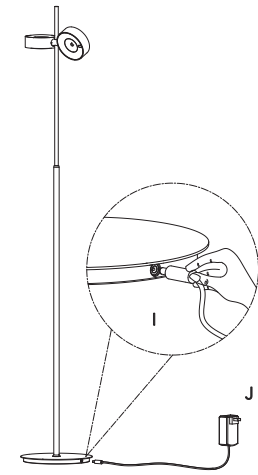
- A:** Open the box and identify the various lamp accessories.
 2 x Lamp heads
 1 x Pole
 1 x Floor base
 1 x Driver adaptor

3



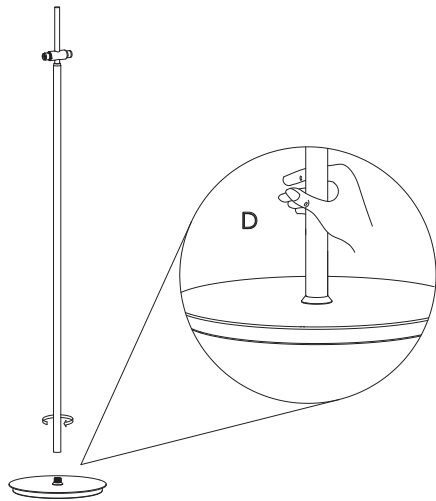
C: Firmly push and fasten the two lamp heads into the pole using the integrated jack system.

5



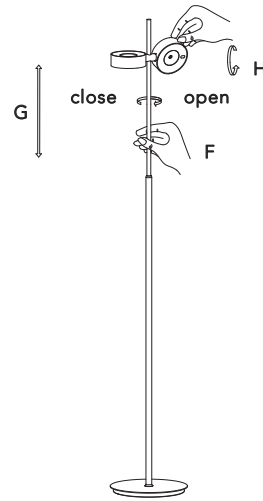
E: Plug the DC adaptor to the lamp base, and into the mains power.

2



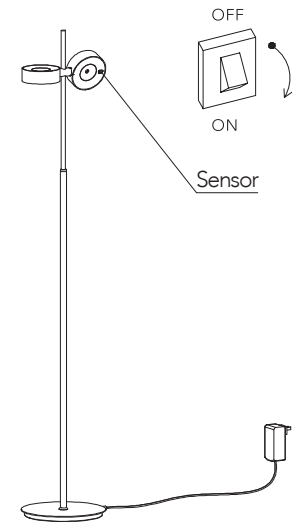
B: Screw the pole into the floor base until you reach a tight fit.

4



D: The pole height can be adjusted using the integrated "Twist lock" function as illustrated above. Clockwise to fasten, and anti-clockwise to loosen. NOTE: Be gentle when adjusting the pole height to avoid the lamp heads from dropping off.

6



F: Installation is complete

ORBIT Collection

Orbit is an indoor floor lamp that works optically, spreading light further, wider, and more softly. The optic glass lens provides a glare-free light, eliminating annoyance to the eyes while providing maximum light where needed.

The Orbit Floor lamp can be operated by the touch-less sensor to turn the light on/off and adjust the light intensity. Both spots can be control independently from one another, thus allowing users to shape their light.

General use

- The product is designed for indoor use only.
- The lamp gets hot after prolonged use, therefore, do not cover the product.

Cleaning instructions

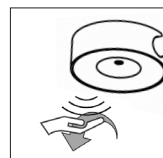
- Before cleaning, ensure that the power supply is switched off.
- Wipe surface of lamp shade with a soft cloth.
- Do not use any abrasive cleaning tools such as steel wool, scouring sponges or stiff brushes.
- Never use strong cleaning agents such as white spirit, household glass cleaner or cellulose thinners.

Safety precautions

- The appliance should be installed, connected and tested by qualified electrician and in accordance with local regulations.
- Turn off the power supply before installation or maintenance of the lamp, and make sure that the cables are not squeezed or damaged by sharp edges during installation.
- The lamp should not be covered by insulation blankets or similar materials.

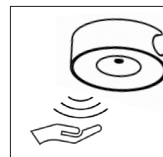
ORBIT FLOOR

User Instructions



ON / OFF

swipe your hand under the sensor



DIMM

hold your hand still under the sensor to adjust the light level

NOTE: The lamp heads have a built-in memory function and remembers the last LED brightness when turned on or off.

**This product cannot be controlled by external trailing-edge dimmer*

International warranty

Your product has gone through rigorous testing in order to live up to the highest quality standards. It therefore carries a 7-year warranty from the date of the original retail purchase receipt, covering defects in materials and workmanship when used normally in accordance with the published LIGHT-POINT guidelines.

These guidelines include but are not limited to information contained in technical specifications, safety instructions and quick start guides. LIGHT-POINT is not responsible for damage arising from failure to follow instructions relating to the use of the product.

LIGHT-POINT is a registered trademark of NORDIC LIVING GROUP.

For more information, please visit

LIGHT-POINT.COM