

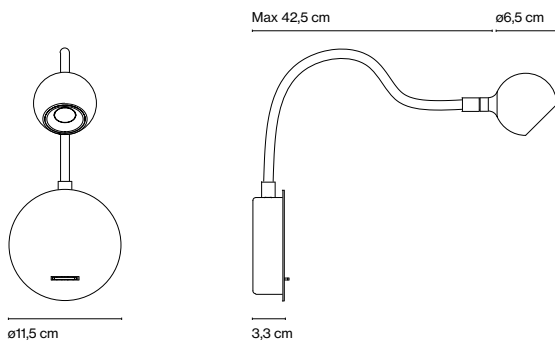


# N°8 Christophe Mathieu

**marset**



N°8



N°8

Light source:  
LED SMD 700mA 2,1W  
2700K CRI80 226,5lm

Luminaire:  
100 - 240 VAC 4,25

LED included

Plate made of lacquered black metal with a flexible black arm, covered in braided fabric. Turned wooden diffuser in natural oak or wenge. Integrated rocker switch at the base of the fixture.

- Oak
- Wenge



- [Download](#) Assembly Instructions
- [Download](#) 2D
- [Download](#) 3D

info@marset.com  
www.marset.com



The wooden sphere of the N°8's lampshade is handcrafted to make each lamp unique. Its smooth texture has the quality and feel of a billiard ball.